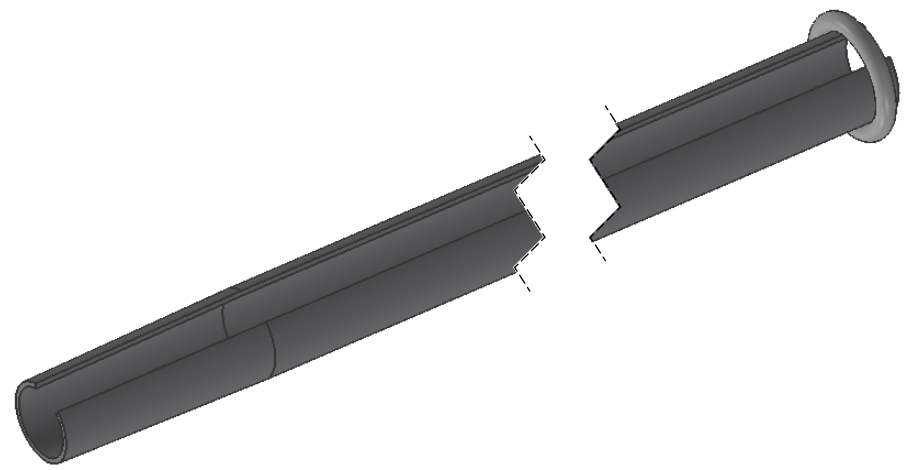


**Material Specification:**

46mm  
2.789 kg/m

Mat: 111mm  
Slit Width

Straightness: 1.5mm per 1m  
Twist: 2mm per 1m



Material: **Supraform S420MC/EN10149**

Remove all sharp corners and burrs.

Original Sheet A3

Unless otherwise noted tolerances on machined parts will be according to the following decimal place system:  
X : 1mm  
X.X : 0.25mm  
X.XX : 0.10mm

Approved  
Date

Title  
**Split Set Type Ø46**

Scale	Stock Code	Drawing Number	Rev.
Drawn			
Date			