

**SPECIFICATION LOG TABLE**

**125 x 125mm - WASHERS**

125 x 125 x 4.00mm	1.0	125 x 125 x 4.50mm	2.0
∅ 37.00 x 4.00	1.1	∅ 21.00 x 4.50	2.1
∅ 42.50 x 4.00	1.2	∅ 29.00 x 4.50	2.2
		∅ 37.00 x 4.50	2.3
		∅ 42.50 x 4.50	2.4

**125 x 125 x 6.00mm**

∅ 29.00 x 6.00	3.0
∅ 37.00 x 6.00	3.1
	3.2

**150 x 150mm - WASHERS**

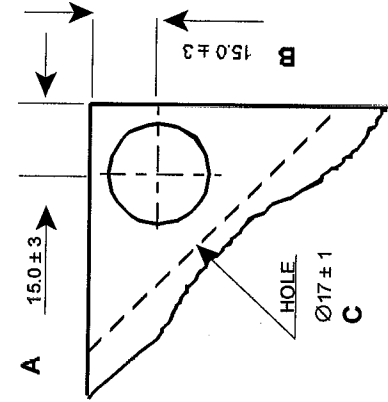
150 x 150 x 4.00mm	4.0	150 x 150 x 4.50mm	5.0
∅ 37.00 x 4.00	4.1	∅ 37.00 x 4.50	5.1
∅ 42.50 x 4.00	4.2	∅ 42.50 x 4.50	5.2
∅ 43.50 x 4.00	4.3	∅ 45.00 x 4.50	5.3
∅ 44.50 x 4.00	4.4	∅ 49.00 x 4.50	5.4
∅ 46.50 x 4.00	4.5		
∅ 49.00 x 4.00	4.6		

**150 x 150 x 6.00mm**

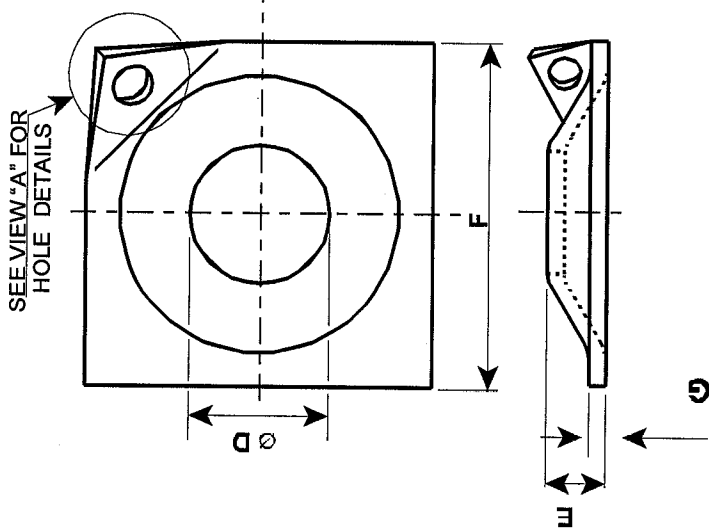
∅ 37.00 x 6.00	6.1
∅ 49.00 x 6.00	6.2

**MATERIAL: COMMERCIAL QUALITY MILD STEEL**

REV. A Included ∅42.50 x 125 x 4.00mm and sequential numbering for each size 17.10.2011



ENLARGED VIEW "A"



SEE VIEW "A" FOR HOLE DETAILS

Drawing Number		63-03-02-028		Date
Hole Diameter "D"	Ref to Spec Log ± 0.50mm			Drawn
Domed Height "E"	16.00 ± 2	17.00 ± 2	19.50 ± 0.20	Checked
Washer Width "F"	125 / 150 ± 2	125 / 150 ± 2	125 / 150 ± 2	Approved
Thickness "G"	4.00mm	4.50mm	6.00mm	Scale
All Dimensions in MM				N.T.S

